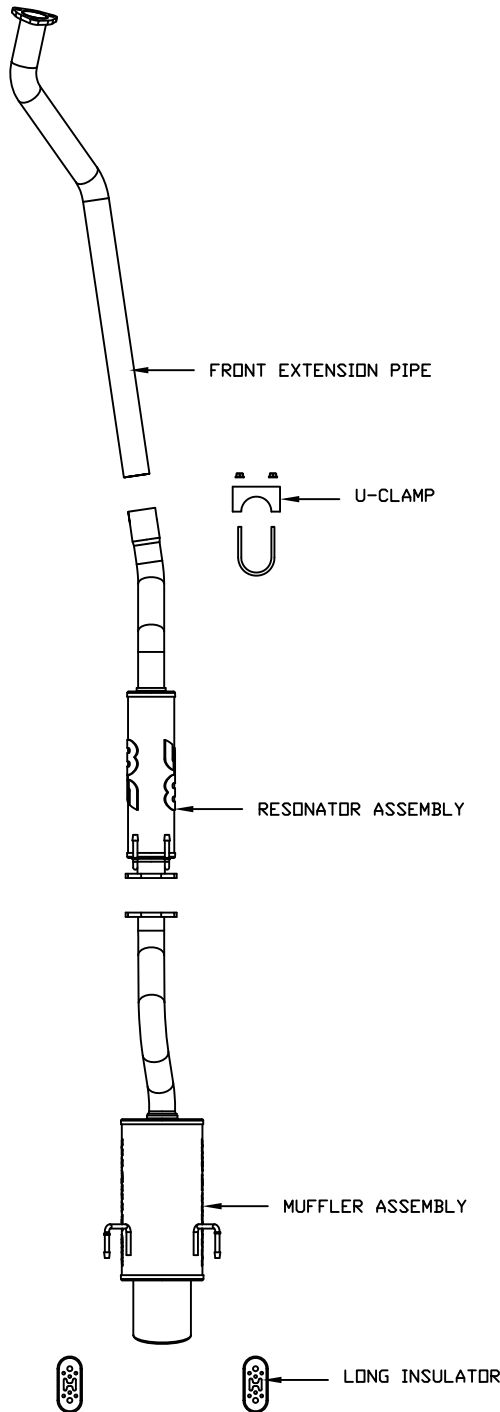


2002 ACURA RSX - 2.0L, 4 CYL



Warning: When working on under or around any vehicle exercise caution. Please allow vehicles exhaust system to cool before removal, as exhaust system temperatures may cause severe burns. If working without a lift, always consult vehicle manual for correct lifting specifications. Always wear safety glasses and ensure safe work area. Serious injury or death could occur if safety measures are not followed.

Step 1: (Carefully read all instructions before installation) Unbolt the OEM muffler from the extension pipe in front of the rear control arm. Remove the muffler from the OEM rubber insulators. Do not damage the rubber insulators, as they will be reused on your new system. Unbolt the extension pipe from the catalytic converter, and remove it from the OEM rubber insulators. Do not discard the front extension pipe fasteners, as it will be re-used.

Step 2: Starting at the catalytic converter, install the front extension pipe with the OEM fasteners. Leave all components loose until final fit and placement is correct. Install the resonator assembly into the OEM rubber insulators, and slide the inlet end over the end of the front extension pipe. Install the muffler assembly in the OEM rubber insulators and bolt it to the resonator assembly with the supplied fasteners and gasket. NOTE: If you have an aftermarket rear valance you may need to install the supplied long rubber insulators for proper clearance between the exhaust tip and bodywork.

Step 3: Once all components are installed loosely, position them for a final fit, checking for clearance and overall aesthetics. Be sure to check clearance around the rear control arm, and between the exhaust tip and rear bumper fascia. (Magnaflow recommends at least 1/2" of clearance between the exhaust tip and rear bumper to avoid heat-related bodywork damage, or fire.)

Step 4: Once a final position has been set, evenly tighten all fasteners from front to rear, to complete installation. Inspect all fasteners after 25-50 miles of operation, and re-tighten if necessary.

*MAGNAFLOW Performance Exhaust recommends professional installation on all their products

Technical support: 1-800-959-9226 ext. 4500