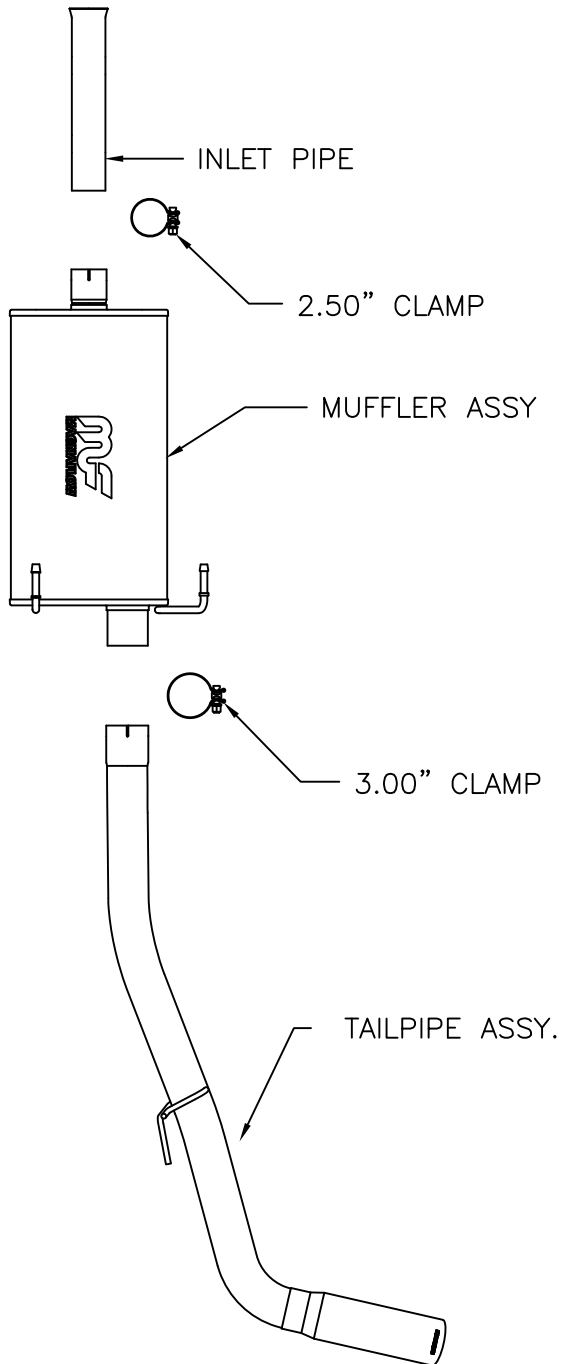


### 2000-2003 TOYOTA TUNDRA V6 3.4L/4.7L V8, CREWCAB SHORT BED (Single)



**Warning:** When working on, under, or around any vehicle exercise caution. Please allow the vehicle's exhaust system to cool before removal, as exhaust system temperatures may cause severe burns. If working without a lift, always consult vehicle manual for correct lifting specifications. Always wear safety glasses and ensure a safe work area. Serious injury or death could occur if safety measures are not followed.

**Step 1:** (Carefully read all instructions before installation) Remove the OEM exhaust system by unbolting the OEM clamps and by disengaging the welded hangers from the OEM rubber insulators. Do not discard the OEM fasteners, or damage the OEM rubber insulators, as they may be reused to mount new system.

**Step 2:** Begin installation of the new system at the catalytic converter connection. Install the Inlet Pipe using the OEM clamp and then the Muffler Assy. with the supplied 2.50" Clamp. Fit the welded hangers on the Muffler Assy. into the OEM insulators. Leave all fasteners and clamps loose for final adjustment. Next, install the Tailpipe Assy. by inserting the welded hangers into the OEM insulators and sliding the supplied 3.00" clamp onto the Tailpipe Assy. then onto the Muffler Assy.

**Step 3:** With all components mounted loosely, adjust the system for overall aesthetics and clearance of frame & bodywork. (MAGNAFLOW recommends at least 1/2" of clearance between the exhaust system and any body panels to prevent heat-related body damage or fire.)

**Step 4:** Once a final position has been chosen for the new system, evenly tighten all fasteners from front to rear. The supplied band clamps must be VERY tight to properly align the pipes and prevent leaks (Approximately 40ft-lbs). Inspect all fasteners after 25-50 miles of operation and retighten if necessary.

\*MAGNAFLOW Performance Exhaust recommends professional installation on all their products

Technical support: 1-800-959-9226 ext. 4500