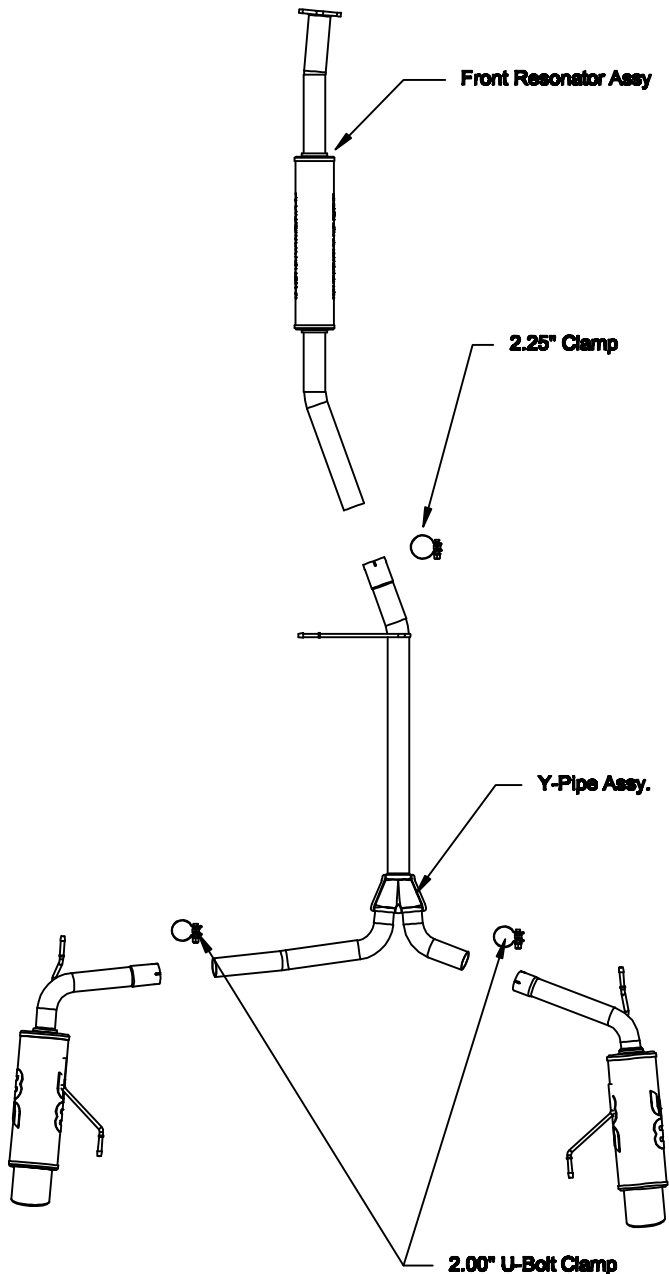


2003–2007 Honda Accord Coupe / 2Dr 3.0L V6



Warning: When working on, under, or around any vehicle exercise caution. Please allow the vehicle's exhaust system to cool before removal, as exhaust system temperatures may cause severe burns. If working without a lift, always consult vehicle manual for correct lifting specifications. Always wear safety glasses and ensure a safe work area. Serious injury or death could occur if safety measures are not followed.

Step 1: (Carefully read all instructions before installation) To remove the OEM exhaust system, unbolt the system from the catalytic converter at the 3-bolt flange. Do not discard the OEM fasteners, as they will be re-used to mount the new system. The system can now be removed as one piece by disengaging the welded hangers from the OEM rubber insulators. Do not damage the OEM rubber insulators, as they will be re-used to mount the new system.

Step 2: Begin installation by bolting the new resonator assembly to the catalytic converter, using the OEM fasteners. Leave all fasteners loose for final adjustment of the system. Working rearward, install the Y-pipe assembly by fitting the welded hanger(s) with the OEM rubber insulators and fastening it to the resonator assembly using the supplied 2-1/4" clamp. Install the mufflers in the same fashion, using the supplied 2" clamps.

Step 3: With all components still mounted loosely, adjust the system for overall aesthetics and clearance of frame & bodywork. (MAGNAFLOW recommends at least 1/2" of clearance between the exhaust system and any body panels to prevent heat-related body damage or fire.)

Step 4: Once a final position has been chosen for the new system, evenly tighten all fasteners from front to rear. Inspect all fasteners after 25-50 miles of operation and re-tighten if necessary.

***MAGNAFLOW Performance Exhaust recommends professional installation on all their products**

Technical support: 1-800-959-9226 ext. 4500

MAGNAFLOW Performance Exhaust — 22961 Arroyo Vista — Rancho Santa Margarita, CA 92688