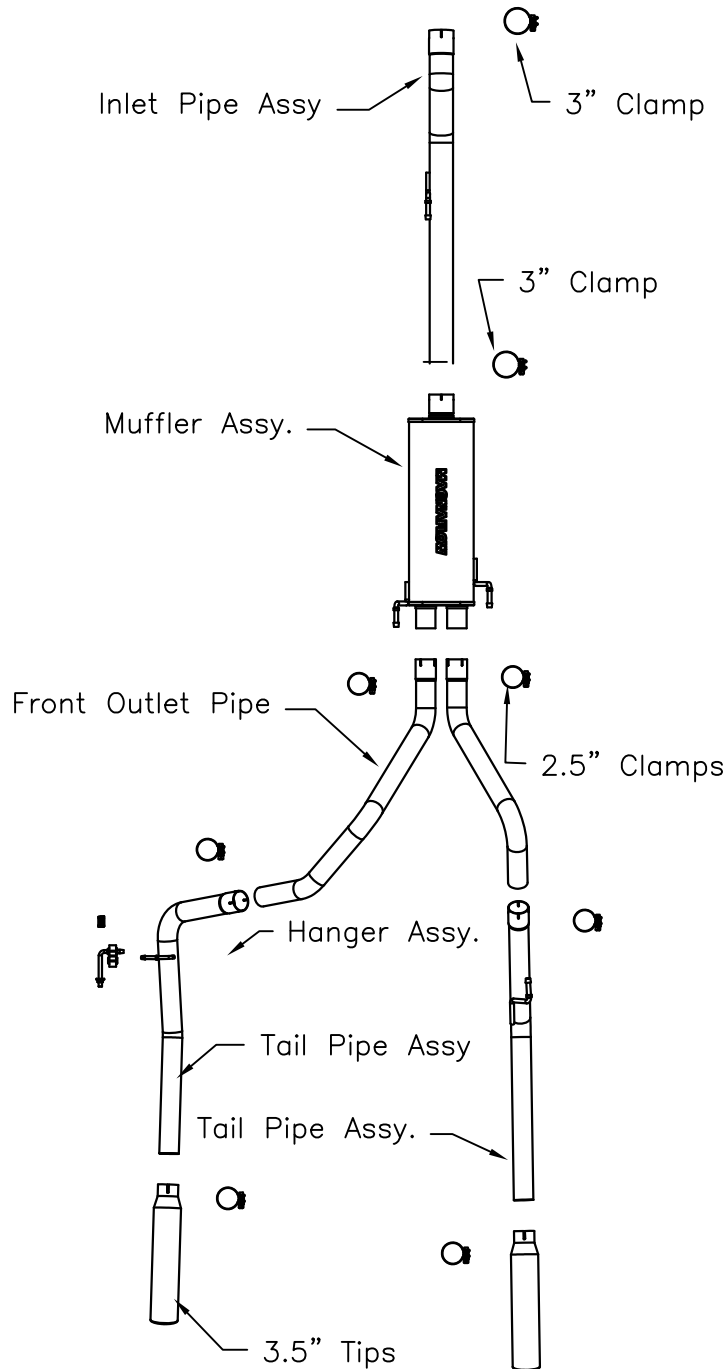


2008 Dodge Ram 1500 Dual Split Mega Cab / Short Bed



Warning: When working on, under, or around any vehicle exercise caution. Please allow the vehicle's exhaust system to cool before removal, as exhaust system temperatures may cause severe burns. If working without a lift, always consult vehicle manual for correct lifting specifications. Always wear safety glasses and ensure a safe work area. Serious injury or death could occur if safety measures are not followed.

Step 1: (Carefully read all instructions before installation)

Disconnect the vehicle's battery before removal of the OEM exhaust. This will allow the computer to reset itself with the new system, and prevent electrical accidents. To remove the OEM system, unbolt the tailpipe and muffler assemblies. Disengage the welded hangers from the OEM rubber insulators, taking care not to damage them.

Step 2: Begin installation of the new system by fastening the muffler assembly to the catalytic converter extension pipe using the supplied 3.00" clamp (Be sure to line up the large notch in the pipe with the alignment peg or the system will not fit properly). Leave all clamps and fasteners loose for final adjustment of the complete system. Install the tailpipe extensions, tailpipes, and tip assemblies in a similar fashion, using the supplied clamps and hanger assemblies as shown in the diagrams. The adjustable hanger assembly is to be installed in a pre-drilled hole in the frame, and is adjustable for height. (The photo of the hanger assembly may differ slightly for your vehicle, it is provided for reference). The adjustable tips are supplied to fit a variety of bumpers and rear fascias, and should be welded on once a final position is chosen.

Step 3: With all components mounted loosely, adjust the system for overall aesthetics and clearance of frame & bodywork. (MAGNAFLOW recommends at least 1/2" of clearance between the exhaust system and any body panels to prevent heat-related body damage or fire.)

Step 4: Once a final position has been chosen for the new system, evenly tighten all fasteners from front to rear. The supplied band clamps must be very tight to properly align the pipes and prevent leaks (Approx. 40ft. lbs.). Inspect all fasteners after 25-50 miles of operation and retighten if necessary.

*MAGNAFLOW Performance Exhaust recommends professional installation on all their products

Technical support: 1-800-959-9226 ext. 4500

MAGNAFLOW Performance Exhaust - 22961 Arroyo Vista - Rancho Santa Margarita, CA 92688

2008 Dodge Ram 1500 Dual Split Mega Cab / Short Bed



Warning: When working on, under, or around any vehicle exercise caution. Please allow the vehicle's exhaust system to cool before removal, as exhaust system temperatures may cause severe burns. If working without a lift, always consult vehicle manual for correct lifting specifications. Always wear safety glasses and ensure a safe work area. Serious injury or death could occur if safety measures are not followed.

**MAGNAFLOW Performance Exhaust recommends professional installation on all their products*

Technical support: 1-800-959-9226 ext. 4500

MAGNAFLOW Performance Exhaust - 22961 Arroyo Vista - Rancho Santa Margarita, CA 92688